

PlybooSport is:

## Soybond Manufactured FSC® and FloorScore® Certified Formaldehyde Free

- L.E.E.D. Contributions: MR6, MR7, IEQ4
- Average Hardness greater than Maple
- Consistent lighter color and 6' lengths
- Precision Milling, Fit, and Finish
- Exceeds visual rating of Grade 1 Maple
- Priced competitively to Grade 1 Maple
- ASTM, EN, FIBA, DIN Compliant
- 25 year warranty



Edge Grain, Natural  
FL-V3472SFN-NAUF/FSC



Edge Grain, Amber  
FL-V3472SFA-NAUF/FSC  
(minimum order 2,500 sq. ft.)

### Dimensions:

U.S. Standards/ Metric

3/4" x 2 1/4" x 72" (19mm x 57mm x 1829mm)

1 1/4 sq. ft./board (0.104 m<sup>2</sup>/board)

20 boards/box

22.5 sq. ft./box (2.09 m<sup>2</sup>/box)

### Weight:

U.S. Standards/ Metric

2.53 lbs./sq. ft. (1.235 kg/m<sup>2</sup>)

2.85 lbs./board (1.29 kg/board)

57 lbs./box (25.9 kg/box)

50 boxes/pallets

2,930 lbs/pallet (1,329 kg/pallet)

### L.E.E.D. Contributions

Manufacturer:

MRc4: Recycled Materials (Rubber Pad)

MRc6: Rapidly Renewable Materials

MRc7: FSC® Certified (SW-COC-003124)

IEQc4.3: Low-Emitting Materials

CA Section 01350 Compliant

FloorScore® Certified (SCS-FS-02130)

Installer Supplied:

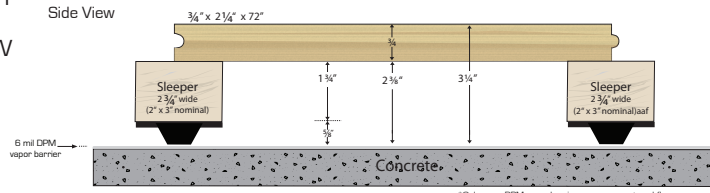
MRc7: FSC-Certified Subfloor Materials

IEQ 4.1, 4.2: Low-Emitting Materials

### Floating Resilient Sleeper

PS-3.125-CP

- SOFT TOUCH-Y
- MULTI-USE-W
- PRO-B

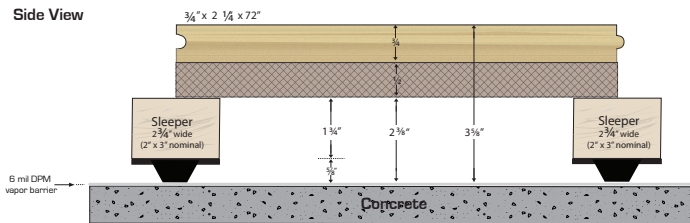


\*Only use a DPM vapor barrier over a concrete subfloor

### Floating Resilient Sleeper + Panel

PS-3.625-CP

- SOFT TOUCH-Y
- MULTI-USE-W
- PRO-B

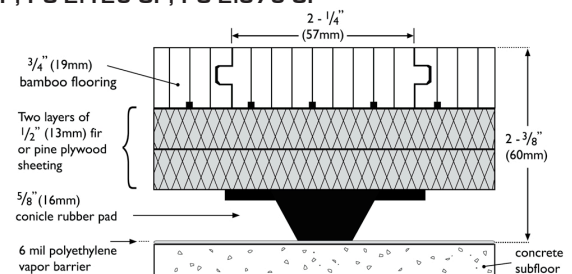


\*Only use a DPM vapor barrier over a concrete subfloor

### Floating Resilient Panel

PS-1.875CP, PS-1.937-CP, PS-2.125-CP, PS-2.375-CP

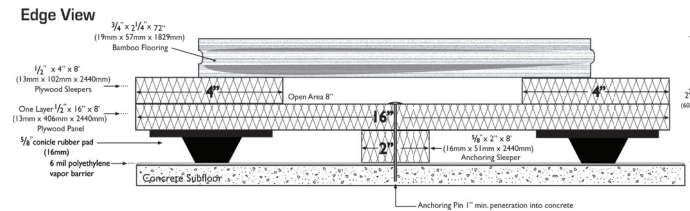
- SOFT TOUCH-Y
- MULTI-USE-W
- PRO-B



### Fixed Resilient Anchored

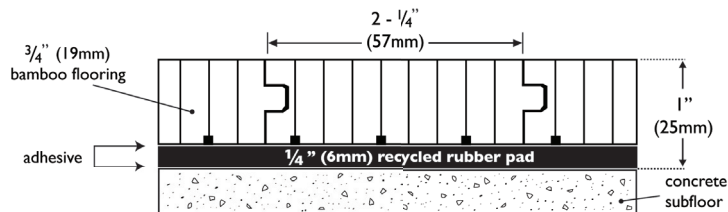
PS-2.125A-CP; PS-2.375A-CP

- SOFT TOUCH-Y
- MULTI-USE-W
- PRO-B



### Fixed Resilient PlybooFIT

PF-3472-1.0





**BAMBOO  
ATHLETIC  
FLOORING**

LEAR@PLYBOOSPORT.COM

WWW.PLYBOOSPORT.COM

800.939.7397



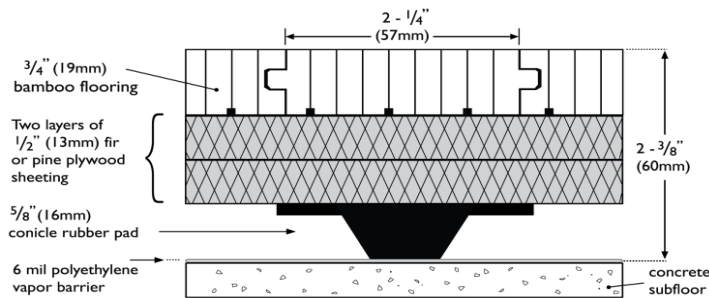
Natural  
FL-V3472SFN-NAUF/FSC



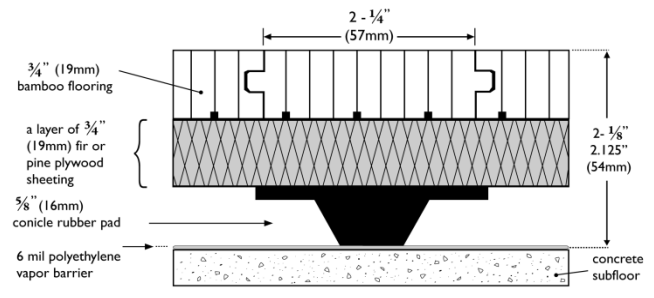
Amber (2,500 sq.ft. minimum)  
FL-V3472SFA-NAUF/FSC

**PS-2.375-CP : Floating Resilient-panel  
PS-2.125-CP : Floating Resilient-panel**

**End View Detail  
PS-2.375-CP**



**PS-2.125-CP**



**System Components :**

		Profiles	
		3/4"	3/4"
top	Bamboo Sport Surface 3/4"x2 1/4"x72" (19mm x 57mm x 1829mm)	3/4"	3/4"
core	2 layers of 1/2" plywood subfloor	1"	
	2 layers of 3/8" plywood subfloor OR 1 layer of 3/4" plywood subfloor		3/4"
base	5/8" PlybooSport pads + vapor barrier	5/8"	5/8"
	T O T A L profile	2 3/8"	2 1/8"
		2.375-CP	2.125-CP

5/8" sports pad options	SoftTouch-Y 55 duro	Multi-W 65 duro	Pro-B 75 duro
-------------------------	------------------------	--------------------	------------------

**System Description :**

L.E.E.D. contributors	MRc7 : FSC bamboo-MRc7			
	MRc7 : FSC sub-floor-MRc7 (installer supplied)			
	MRc6 : Rapidly Renewal			
	IEQc4.3 : Low emitting materials (manufacturing)			
	IEQc4.1,4.2, 4.4 (installer supplied)			
	ID Innovation in Design + FloorScore certified			
Finishes (2)	Jobsite finished	Prefinished (INQUIRE)		
System Type	floating resilient			
Subfloor Construction	plywood panel with pad's			
System Profile   Slab Depression	2 3/8" (2.375") (60mm)		2 1/8" (2.125") (54mm)	
Resilience	PlybooSport pads 5/8"	55 duro (SoftTouch-Y)	65 duro (Multi-W)	75 duro (Pro-B)
Industry Compliance	DIN,, EN, FIBA: Gymnasiums, (courts sports) Fitness, Exercise, Stage, Dance			
Environmental Certifications	FSC, LEED,	L.E.E.D	FloorScore	ISO 14001
Warranty	25 years			

PlybooSport : [www.plyboosport.com](http://www.plyboosport.com) : 800.939.7397 : [lear@plyboosport.com](mailto:lear@plyboosport.com)

PlybooSport  
06012011



**BAMBOO  
ATHLETIC  
FLOORING**

LEAR@PLYBOOSPORT.COM

WWW.PLYBOOSPORT.COM

800.939.7397



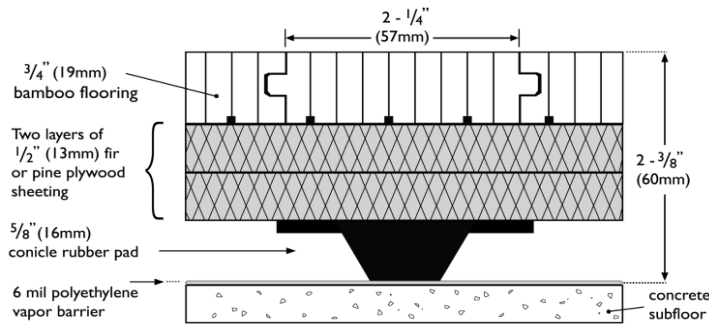
Natural  
FL-V3472SFN-NAUF/FSC



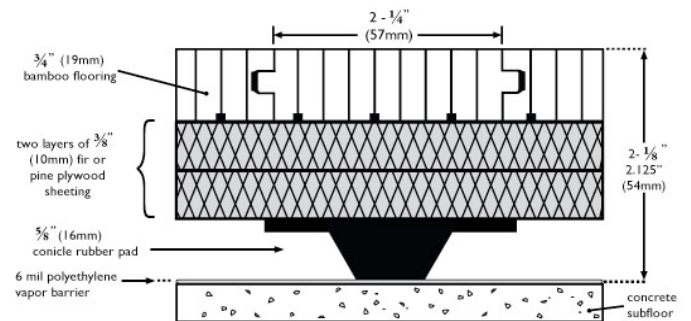
Amber (2,500 sq.ft. minimum)  
FL-V3472SFA-NAUF/FSC

**PS-2.125-CP : Floating Resilient-panel**  
**PS-2.375-CP : Floating Resilient-panel**

**End View Detail**  
**PS-2.375-CP**



**PS-2.125-CP**



**System Components :**

System Components :		Profiles	
<b>top</b>	<b>Bamboo Sport Surface</b> 3/4"x2 1/4"x72" (19mm x 57mm x 1829mm)	3/4"	3/4"
<b>core</b>	<b>2 layers of 1/2" plywood subfloor</b>	1"	
	<b>2 layers of 3/8" plywood subfloor OR 1 layer of 3/4" plywood subfloor</b>		3/4"
<b>base</b>	<b>5/8" PlybooSport pads + vapor barrier</b>	5/8"	5/8"
	<b>T O T A L profile</b>	<b>2 3/8"</b>	<b>2 1/8"</b>
		<b>2.375-CP</b>	<b>2.125-CP</b>
<b>5/8" sports pad options</b>		<b>SoftTouch-Y</b> 55 duro	<b>Multi-W</b> 65 duro
			<b>Pro-B</b> 75 duro

**System Description :**

<b>L.E.E.D. contributors</b>	<b>MRc7 : FSC bamboo-MRc7</b>								
	<b>MRc7 : FSC sub-floor-MRc7 (installer supplied)</b>								
	<b>MRc6 : Rapidly Renewal</b>								
	<b>IEQc4.3 : Low emitting materials (manufacturing)</b>								
	<b>IEQc4.1,4.2, 4.4 (installer supplied)</b>								
	<b>ID Innovation in Design + FloorScore certified</b>								
<b>Finishes (2)</b>	<b>Jobsite finished</b>						<b>Prefinished (INQUIRE)</b>		
<b>System Type</b>	<b>floating resilient</b>								
<b>Subfloor Construction</b>	<b>plywood panel with pad's</b>								
<b>System Profile   Slab Depression</b>	<b>2 3/8" (2.375") (60mm)</b>						<b>2 1/8" (2.125") (54mm)</b>		
<b>Resilience</b>	<b>PlybooSport pads</b> 5/8"			<b>55 duro</b> (SoftTouch-Y)			<b>65 duro</b> (Multi-W)		<b>75 duro</b> (Pro-B)
<b>Industry Compliance</b>	<b>DIN</b>	<b>EN</b>	<b>FIBA</b>		<b>FITNESS</b>	<b>EXERCISE</b>	<b>STAGE</b>	<b>DANCE</b>	<b>Gymnasiums</b>
<b>Environmental Certifications</b>	<b>FSC, LEED,</b>			<b>L.E.E.D</b>			<b>FloorScore</b>		<b>ISO 14001</b>
<b>Warranty</b>	<b>25 years</b>								

**PlybooSport : [www.plyboosport.com](http://www.plyboosport.com) : 800.939.7397 : [lear@plyboosport.com](mailto:lear@plyboosport.com)**



**BAMBOO  
ATHLETIC  
FLOORING**

LEAR@PLYBOOSPORT.COM

WWW.PLYBOOSPORT.COM

800.939.7397



Natural

FL-V3472SFN-NAUF/FSC

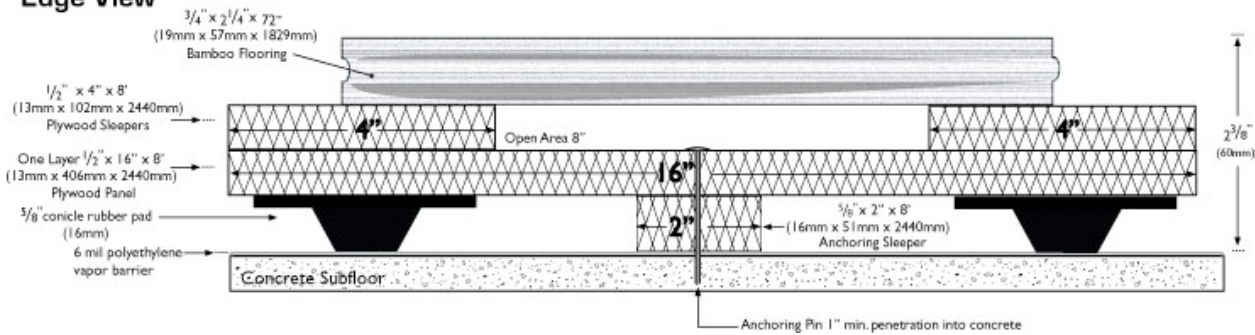


Amber (2,500 sq.ft. minimum)

FL-V3472SFA-NAUF/FSC

**PS-2.375A-CP (ANCHORED) : Fixed Resilient**  
**PS-2.125A-CP (ANCHORED) : Fixed Resilient**

**Edge View**



**Systems Components :**

**Profiles**

Systems Components	Profiles
<b>Top</b> PlybooSport - Bamboo Sport Surface 3/4"x3 3/4"x72" (19mm x 57mm x 1829mm)	3/4"      3/4"
<b>core</b> 1/2" plywood subfloor	1/2"      3/8"
1/2"x 3"x 48" or 96" plywood sleepers	1/2"      3/8"
<b>base</b> 5/8"x 3"x 48" or 96" anchoring sleeper + 5/8" PlybooSport pads + vapor barrier	5/8"      5/8"
<b>T O T A L profile</b>	2 3/8"      2 1/8"
	<b>2.375A-CP      2.125A-CP</b>

5/8" sports pad options	SoftTouch-Y 55 duro	Multi-W 65 duro	Pro-B 75 duro
-------------------------	------------------------	--------------------	------------------

**System Description :**

<b>L.E.E.D. contributors</b>	<b>MRc7 : FSC bamboo-MRc7</b>			
	<b>MRc7 : FSC sub-floor-MRc7 (installer supplied)</b>			
	<b>MRc6 : Rapidly Renewal</b>			
	<b>IEQc4.3 : Low emitting materials (manufacturing)</b>			
	<b>IEQc4.1,4.2, 4.4 (installer supplied)</b>			
	<b>ID Innovation in Design + FloorScore certified</b>			
	<b>ISO 9001, 9002, 14001</b>			
<b>Colors (2)</b>	Natural		Amber (2,500 sq.ft. order minimum for 3/4")	
<b>Finishes (2)</b>	Jobsite finished		Prefinished (inquire)	
<b>System Type</b>	Fixed/anchored resilient sleeper			
<b>Subfloor Construction</b>	Plywood sleepers + plywood panel subfloor + anchoring sleeper			
<b>Resilience</b>	PlybooSport pads 5/8"	55 duro (SoftTouch-Y)	65 duro (Multi-W)	75 duro (Pro-B)
<b>System Profile  Slab Depression</b>	2 3/8" (2.375") (60mm)		2 1/8" (2.125") (54mm)	
<b>Industry Compliance</b>	DIN,, EN, FIBA: Gymnasiums (court sports), Fitness rooms, Exercise, Stage, Dance			
<b>Environmental Certifications</b>	FSC	L.E.E.D	FloorScore	ISO 14001
<b>Warranty</b>	25 years			

**PlybooSport : [www.plyboosport.com](http://www.plyboosport.com) : 800.939.7397 : [lear@plyboosport.com](mailto:lear@plyboosport.com)**

PlybooSport  
06012011





**BAMBOO  
ATHLETIC  
FLOORING**

LEAR@PLYBOOSPORT.COM

WWW.PLYBOOSPORT.COM

800.939.7397



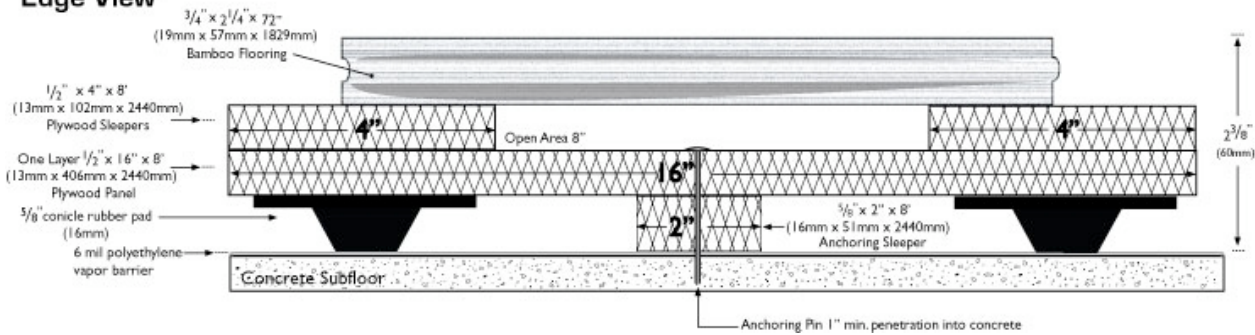
Natural  
FL-V3472SFN-NAUF/FSC



Amber (2,500 sq.ft. minimum)  
FL-V3472SFA-NAUF/FSC

**PS-2.125A-CP (ANCHORED) : Fixed Resilient**  
**PS-2.375A-CP (ANCHORED) : Fixed Resilient**

**Edge View**



**Systems Components :**

**Profiles**

Systems Components	Profiles
<b>Top</b> PlybooSport - Bamboo Sport Surface 3/4"x3 3/4"x72" (19mm x 57mm x 1829mm)	3/4"      3/4"
<b>core</b> 1/2" plywood subfloor	1/2"      3/8"
1/2"x 3"x 48" or 96" plywood sleepers	1/2"      3/8"
<b>base</b> 5/8"x 3"x 48" or 96" anchoring sleeper + 5/8" PlybooSport pads + vapor barrier	5/8"      5/8"
<b>T O T A L profile</b>	2 3/8"      2 1/8"
	<b>2.375A-CP      2.125A-CP</b>

5/8" sports pad options	SoftTouch-Y 55 duro	Multi-W 65 duro	Pro-B 75 duro
-------------------------	------------------------	--------------------	------------------

**System Description :**

<b>L.E.E.D. contributors</b>	<b>MRc7 : FSC bamboo-MRc7</b>			
	<b>MRc7 : FSC sub-floor-MRc7 (installer supplied)</b>			
	<b>MRc6 : Rapidly Renewal</b>			
	<b>IEQc4.3 : Low emitting materials (manufacturing)</b>			
	<b>IEQc4.1,4.2, 4.4 (installer supplied)</b>			
	<b>ID Innovation in Design + FloorScore certified</b>			
	<b>ISO 9001, 9002, 14001</b>			
<b>Colors (2)</b>	Natural		Amber (2,500 sq.ft. order minimum for 3/4")	
<b>Finishes (2)</b>	Jobsite finished		Prefinished (inquire)	
<b>System Type</b>	Fixed/anchored resilient sleeper			
<b>Subfloor Construction</b>	Plywood sleepers + plywood panel subfloor + anchoring sleeper			
<b>Resilience</b>	PlybooSport pads 5/8"	55 duro (SoftTouch-Y)	65 duro (Multi-W)	75 duro (Pro-B)
<b>System Profile  Slab Depression</b>	2 3/8" (2.375") (60mm)		2 1/8" (2.125") (54mm)	
<b>Industry Compliance</b>	DIN,, EN, FIBA: Gymnasiums (court sports), Fitness rooms, Exercise, Stage, Dance			
<b>Environmental Certifications</b>	FSC	L.E.E.D	FloorScore	ISO 14001
<b>Warranty</b>	25 years			

**PlybooSport : [www.plyboosport.com](http://www.plyboosport.com) : 800.939.7397 : [lear@plyboosport.com](mailto:lear@plyboosport.com)**

PlybooSport  
06012011



**BAMBOO  
ATHLETIC  
FLOORING**

LEAR@PLYBOOSPORT.COM

WWW.PLYBOOSPORT.COM

800.939.7397



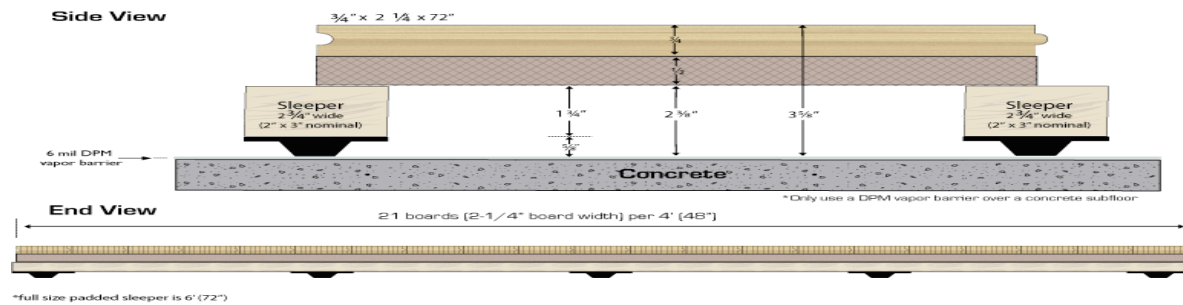
Natural  
FL-V3472SFN-NAUF/FSC



Amber (2,500 sq.ft. minimum)  
FL-V3472SFA-NAUF/FSC

## PS-3.625-CP-Floating Resilient Sleeper+Panel

### End View Detail



#### System Components :

System Components :		Profile		
top	PlybooSport- Bamboo Sport Surface 3/4"x2 1/4"x72" (19mm x 57mm x 1829mm)	3/4"	0.750"	19mm
core	1 layer of 1/2" plywood subfloor	1/2"	0.500"	13mm
base	2"x3"(nominal) x Sleeper with 5/8" conical sport pad + 6mil vapor barrier	2 3/8"	2.375"	61mm
<b>T O T A L profile</b>		<b>3 5/8"</b>	<b>3.625"</b>	<b>92mm</b>

5/8" sports pad options	SoftTouch-Y 55 duro	Multi-W 65 duro	Pro-B 75 duro
-------------------------	------------------------	--------------------	------------------

#### System Description :

L.E.E.D. contributors	MRc7 : FSC bamboo-MRc7								
	MRc7 : FSC sub-floor-MRc7 (installer supplied)								
	MRc6 : Rapidly Renewal								
	IEQc4.3 : Low emitting materials (manufacturing)								
	IEQc4.1,4.2, 4.4 (installer supplied)								
ID Innovation in Design + FloorScore certified									
Colors (2)	Natural Edge grain FL-V3472SFN-NAUF/FSC				Amber Edge grain (2,500 sq.ft. order minimum) FL-V3472SFA-NAUF/FSC				
Finishes (2)	Jobsite finished				Prefinished (inquire)				
System Type	floating resilient								
Subfloor Construction	Sleeper with pad's								
Resilience	PlybooSport pads 5/8"		55 duro (SoftTouch-Y)			65 duro (Multi-W)		75 duro (Pro-B)	
System Profile  Slab Depression	3 5/8"			3.625"			92mm		
Industry Compliance	DIN	EN	FIBA		FITNESS	EXERCISE	STAGE	DANCE	Gymnasiums
Environmental Certifications	FSC			L.E.E.D		FloorScore		ISO 14001	
Warranty	25 years								

PlybooSport : [www.plyboosport.com](http://www.plyboosport.com) : 800.939.7397 : [lear@plyboosport.com](mailto:lear@plyboosport.com)



**BAMBOO  
ATHLETIC  
FLOORING**

LEAR@PLYBOOSPORT.COM  
WWW.PLYBOOSPORT.COM  
800.939.7397



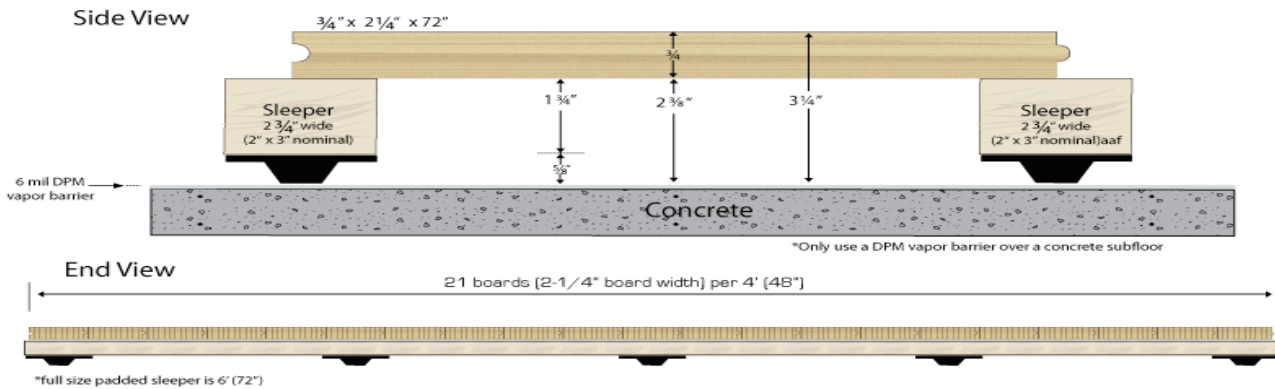
Natural  
FL-V3472SFN-NAUF/FSC



Amber (2,500 sq.ft. minimum)  
FL-V3472SFA-NAUF/FSC

## PS-3.125-CP-sleeper

### End View Detail



#### System Components :

System Components :		Profile		
top	PlybooSport- Bamboo Sport Surface 3/4"x2 1/4"x72" (19mm x 57mm x 1829mm)	3/4"	0.750"	19mm
base	2"x3"(nominal) x Sleeper with 5/8" conical sport pad + 6mil vapor barrier	2 3/8"	2.375"	61mm
TOTAL profile		3 1/8"	3.125"	79mm

5/8" sports pad options	SoftTouch-Y 55 duro	Multi-W 65 duro	Pro-B 75 duro
-------------------------	------------------------	--------------------	------------------

#### System Description :

L.E.E.D. contributors	MRc7 : FSC bamboo-MRc7								
	MRc7 : FSC sub-floor-MRc7 (installer supplied)								
	MRc6 : Rapidly Renewal								
	IEQc4.3 : Low emitting materials (manufacturing)								
	IEQc4.1,4.2, 4.4 (installer supplied)								
ID Innovation in Design + FloorScore certified									
Colors (2)	Natural Edge grain FL-V3472SFN-NAUF/FSC				Amber Edge grain (2,500 sq.ft. order minimum) FL-V3472SFA-NAUF/FSC				
Finishes (2)	Jobsite finished				Prefinished (inquire)				
System Type	floating resilient								
Subfloor Construction	Sleeper with pad's								
Resilience	PlybooSport pads 5/8"		55 duro (SoftTouch-Y)		65 duro (Multi-W)		75 duro (Pro-B)		
System Profile  Slab Depression	3 1/8"			3.125"			79mm		
Industry Compliance	DIN	EN	FIBA		FITNESS	EXERCISE	STAGE	DANCE	Gymnasiums
Environmental Certifications	FSC			L.E.E.D		FloorScore		ISO 14001	
Warranty	25 years								



Natural

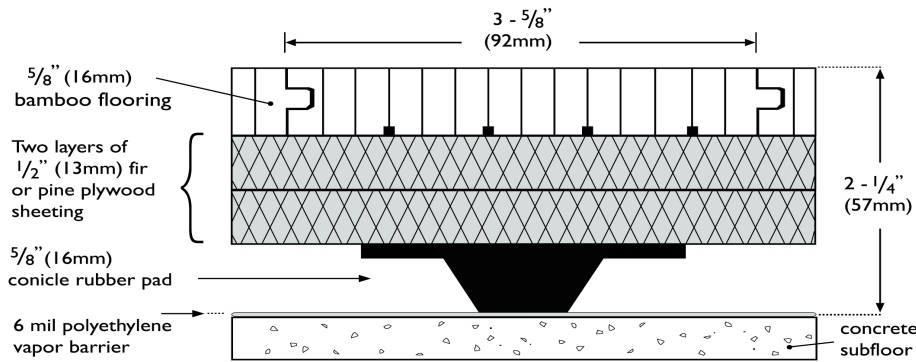


Amber



PlybooSport : Bamboo5872-2.250-CP : FITNESS-Y  
 PlybooSport : Bamboo5872-2.250-CP : MULTI-COURT-W  
 PlybooSport : Bamboo5872-2.250-CP : PRO-B

**End View Detail**



**System Components :**

System Components :		Profile		
top	Bamboo Sport Surface 5/8"x3 3/4"x72" (16mm x 92mm x 1829mm)	0.625"	5/8"	16mm
core	2 layers of 1/2" plywood subfloor	1.00"	1"	25mm
base	5/8" PlybooSport pads + 6mil vapor barrier	0.625"	5/8"	16mm
T O T A L profile		2.250"	2 1/4"	57mm

**System Description :**

L.E.E.D. contributors	MRc7 : FSC bamboo-MRc7			
	MRc7 : FSC sub-floor-MRc7 (installer supplied)			
	MRc6 : Rapidly Renewal			
	IEQc4.3 : Low emitting materials (manufacturing)			
	IEQc4.1,4.2, 4.4 (installer supplied)			
	ID Innovation in Design + FloorScore certified			
ISO 9001, 9002, 14001				
Colors (2)	Natural		Amber	
Finishes (2)	Jobsite finished		Prefinished	
System Type	floating resilient			
Subfloor Construction	padded plywood			
Resilience	PlybooSport pads	55 duro (fitness:F-Y)	65 duro (court sports : M-W)	75 duro (court sports : P-B)
System Profile   Slab Depression	2 1/4"		2.250"	
Industry Compliance	DIN,, EN, FIBA: Gymnasiums, (courts sports) Fitness, Exercise, Stage, Dance			
Environmental Certifications	FSC, LEED,	L.E.E.D	FloorScore	ISP 14001
Warranty	25 years			





Natural

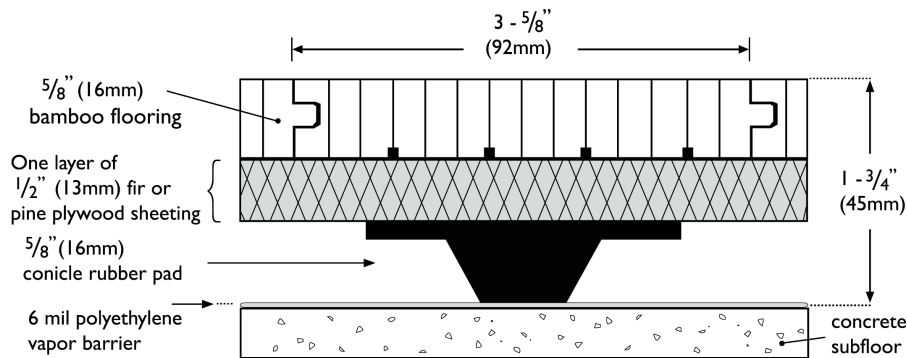


Amber



**PlybooSport : Bamboo5872-2.0-CP : FITNESS-Y**  
**PlybooSport : Bamboo5872-2.0-CP : MULTI-COURT-W**  
**PlybooSport : Bamboo5872-2.0-CP : PRO-B**

### End View Detail



### System Components :

System Components :		Profile		
top	Bamboo Sport Surface 5/8"x3 3/4"x72" (16mm x 92mm x 1829mm)	0.625"	5/8"	16mm
core	1 layers of plywood subfloor	0.750"	3/4"	19mm
base	5/8" PlybooSport pads + 6mil vapor barrier	0.625"	5/8"	16mm
TOTAL profile		2.0"	2"	51mm

### System Description :

L.E.E.D. contributors	MRc7 : FSC bamboo-MRc7			
	MRc7 : FSC sub-floor-MRc7 (installer supplied)			
	MRc6 : Rapidly Renewal			
	IEQc4.3 : Low emitting materials (manufacturing)			
	IEQc4.1,4.2, 4.4 (installer supplied)			
	ID Innovation in Design + FloorScore certified ISO 9001, 9002, 14001			
Colors (2)	Natural		Amber	
Finishes (2)	Jobsite finished		Prefinished	
System Type	floating resilient			
Subfloor Construction	padded plywood			
Resilience	PlybooSport pads	55 duro (fitness:F-Y)	65 duro (court sports : M-W)	75 duro (court sports : P-B)
System Profile   Slab Depression	2"	2.0"		51mm
Industry Compliance	DIN,, EN, FIBA: Gymnasiums, (courts sports) Fitness, Exercise, Stage, Dance			
Environmental Certifications	FSC, LEED,		L.E.E.D	FloorScore
Warranty	25 years			

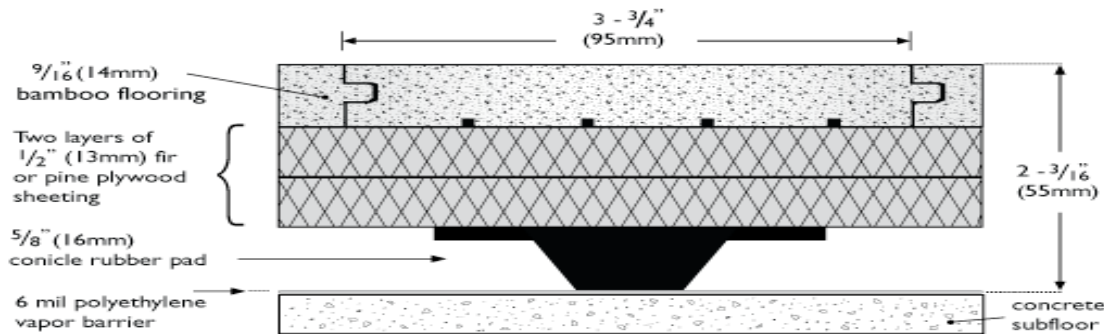
**PlybooSport : [www.plyboosport.com](http://www.plyboosport.com) : 800.939.7397 : [lear@plyboosport.com](mailto:lear@plyboosport.com)**



PS-StrandSport-2.187-CP : FITNESS-Y | MULTICOURT-W | PRO-B

PS-StrandSport-2.0-CP : FITNESS-Y | MULTICOURT-W | PRO-B

End View Detail



System Components :		Profiles	
top	Bamboo StrandSport Surface 9/16"x3 3/4"x72" (15mm x 95mm x 1829mm) OR 3/8" X 3 3/4" X 36" (10mm x 95mm x 915mm)	3/8"	9/16"
core	2 layers of 1/2" plywood subfloor	1"	1"
base	5/8" PlybooSport pads + vapor barrier	5/8"	5/8"
T O T A L profile		2"	2 13/16"

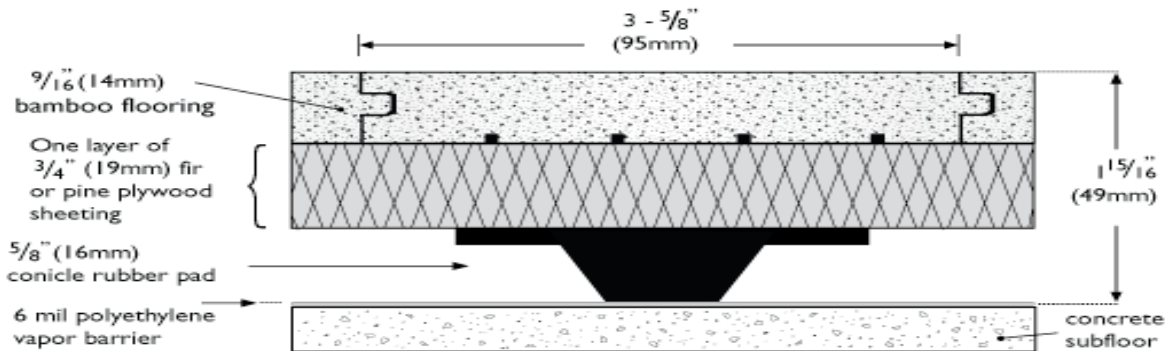
System Description :

L.E.E.D. contributors	MRc7 : FSC bamboo-MRc7			
	MRc7 : FSC sub-floor-MRc7 (installer supplied)			
	MRc6 : Rapidly Renewal			
	IEQc4.3 : Low emitting materials (manufacturing)			
	IEQc4.1,4.2, 4.4 (installer supplied)			
	ID Innovation in Design + FloorScore certified			
ISO 9001, 9002, 14001				
Colors (3)	Sahara	Havana	Neopolitan	
Finishes (2)	Jobsite finished		Prefinished	
Plank Dimensions (2)	3/8" x 3 3/4" x 36"		9/16" x 3 3/4" x 72"	
System Type	floating resilient			
Subfloor Construction	padded plywood			
Resilience	PlybooSport pads	55 duro (fitness:F-Y)	65 duro (court sports : M-W)	75 duro (court sports : P-B)
System Profile   Slab Depression	2 13/16" (using 9/16" x 3 3/4" x 72" planks)		2" (using 3/8" x 3 3/4" x 36" planks)	
Industry Compliance	DIN,, EN, FIBA: Gymnasiums, (courts sports) Fitness, Exercise, Stage, Dance			
Environmental Certifications	FSC, LEED,	L.E.E.D	FloorScore	ISO 14001
Warranty	25 years			



PS-StrandSport-1.937-CP : FITNESS-Y  
 PS-StrandSport-1.937-CP : MULTI-COURT-W  
 PS-StrandSport-1.937-CP : PRO-B

**End View Detail**



**System Components :**

		Profile		
top	Bamboo StrandSport Surface 9/16"x3 3/4"x72" (15mm x 95mm x 1829mm)	0.562"	9/16"	14mm
core	1 layer of 3/4" plywood subfloor	0.750"	3/4"	19mm
base	5/8" PlybooSport pads + vapor barrier	0.625"	5/8"	16mm
T O T A L profile		1.937"	1 15/16"	49mm

**System Description :**

L.E.E.D. contributors	MRc7 : FSC bamboo-MRc7			
	MRc7 : FSC sub-floor-MRc7 (installer supplied)			
	MRc6 : Rapidly Renewal			
	IEQc4.3 : Low emitting materials (manufacturing)			
	IEQc4.1,4.2, 4.4 (installer supplied)			
	ID Innovation in Design + FloorScore certified			
	ISO 9001, 9002, 14001			
Colors (3)	Sahara	Havana	Neopolitan	
Finishes (2)	Jobsite finished		Prefinished	
System Type	floating resilient			
Subfloor Construction	padded plywood			
Resilience	PlybooSport pads	55 duro (fitness:F-Y)	65 duro (court sports : M-W)	75 duro (court sports : P-B)
System Profile   Slab Depression	1 15/16"		1.937"   49mm	
Industry Compliance	DIN,, EN, FIBA: Gymnasiums, (courts sports) Fitness, Exercise, Stage, Dance			
Environmental Certifications	FSC, LEED,	L.E.E.D	FloorScore	ISO 14001
Warranty	25 years			



Natural

FL-V3472SFN-NAUF/FSC

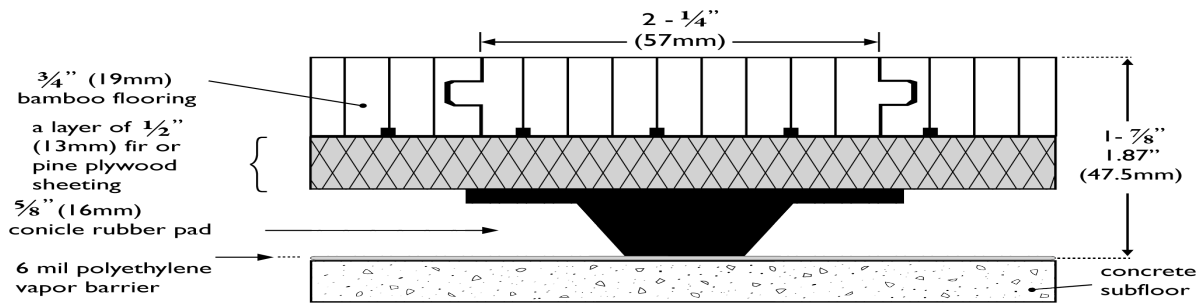


Amber (2,500 sq.ft. minimum)

FL-V3472SFA-NAUF/FSC

**PS-1.875-CP**

**End View Detail**



System Components :		Profile		
top	Bamboo Sport Surface 3/4"x2 1/4"x72" (19mm x 57mm x 1828mm)	0.750"	3/4"	19mm
core	1 layer of 1/2" plywood subfloor	0.500"	1/2"	13mm
base	5/8" PlybooSport pads + vapor barrier	0.625"	5/8"	16mm
	<b>T O T A L profile</b>	<b>1.875"</b>	<b>1 7/8"</b>	<b>48mm</b>
5/8" sports pad options		SoftTouch-Y 55 duro	Multi-W 65 duro	Pro-B 75 duro

**System Description :**

L.E.E.D. contributors	MRc7 : FSC bamboo-MRc7			
	MRc7 : FSC sub-floor-MRc7 (installer supplied)			
	MRc6 : Rapidly Renewal			
	IEQc4.3 : Low emitting materials (manufacturing)			
	IEQc4.1,4.2, 4.4 (installer supplied)			
	ID Innovation in Design + FloorScore certified			
	ISO 9001, 9002, 14001			
Colors (2)	Natural Edge grain FL-V3472SFN-NAUF/FSC		Amber Edge grain (2,500 sq.ft. order minimum) FL-V3472SFA-NAUF/FSC	
Finishes (2)	Jobsite finished		Prefinished (inquire)	
System Type	floating resilient			
Subfloor Construction	padded plywood			
Resilience	PlybooSport pads 5/8"	55 duro (SoftTouch-Y)	65 duro (Multi-W)	75 duro (Pro-B)
System Profile  Slab Depression	1 7/8"		1.875"   48mm	
Industry Compliance	DIN,, EN, FIBA: Gymnasiums (court sports), Fitness, Exercise, Stage, Dance			
Environmental Certifications	FSC	L.E.E.D	FloorScore	ISO14001
Warranty	25 years			

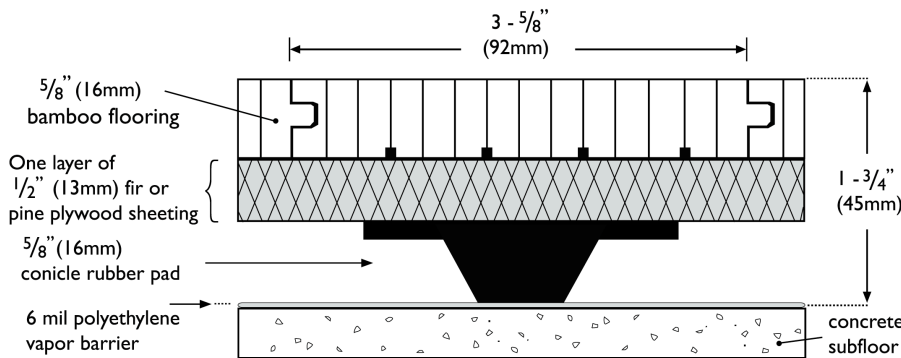
PlybooSport : [www.plyboosport.com](http://www.plyboosport.com) : 800.939.7397 : [lear@plyboosport.com](mailto:lear@plyboosport.com)





**PlybooSport : Bamboo5872-1.75-CP : FITNESS-Y**  
**PlybooSport : Bamboo5872-1.75-CP : MULTI-COURT-W**  
**PlybooSport : Bamboo5872-1.75-CP : PRO-B**

**End View Detail**



**System Components :**

		Profile		
top	<b>Bamboo Sport Surface</b> 5/8"x3 3/4"x72" (16mm x 92mm x 1829mm)	0.625"	5/8"	16mm
core	<b>1 layers of plywood subfloor</b>	0.500"	1/2"	13mm
base	<b>5/8" PlybooSport pads + 6mil vapor barrier</b>	0.625"	5/8"	16mm
<b>T O T A L profile</b>		<b>1.75"</b>	<b>1 3/4"</b>	<b>45mm</b>

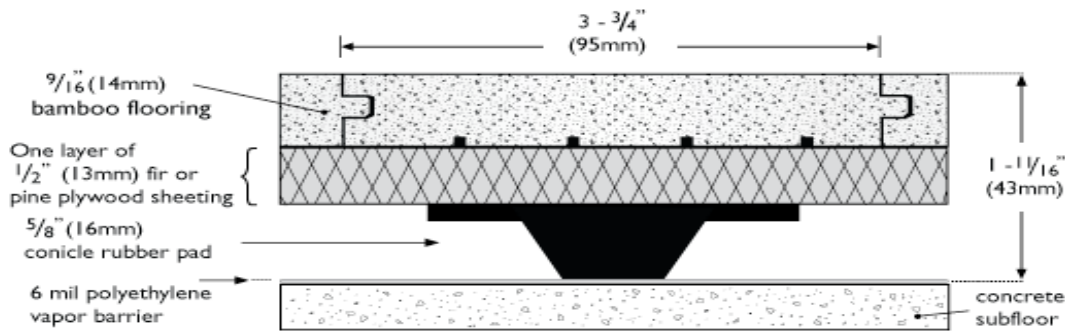
**System Description :**

L.E.E.D. contributors	MRc7 : FSC bamboo-MRc7			
	MRc7 : FSC sub-floor-MRc7 (installer supplied)			
	MRc6 : Rapidly Renewal			
	IEQc4.3 : Low emitting materials (manufacturing)			
	IEQc4.1,4.2, 4.4 (installer supplied)			
	ID Innovation in Design + FloorScore certified			
ISO 9001, 9002, 14001				
Colors (2)	Natural		Amber	
Finishes (2)	Jobsite finished		Prefinished	
System Type	floating resilient			
Subfloor Construction	padded plywood			
Resilience	PlybooSport pads	55 duro (fitness:F-Y)	65 duro (court sports : M-W)	75 duro (court sports : P-B)
System Profile   Slab Depression	1 3/4"	1.75"		45mm
Industry Compliance	DIN,, EN, FIBA: Gymnasiums, (courts sports) Fitness, Exercise, Stage, Dance			
Environmental Certifications	FSC, LEED, L.E.E.D		FloorScore	ISP 14001
Warranty	25 years			



PS-StrandSport-1.687-CP : FITNESS-Y  
 PS-StrandSport-1.687-CP : MULTI-COURT-W  
 PS-StrandSport-1.687-CP : PRO-B

**End View Detail**



**System Components :**

		Profile		
top	Bamboo StrandSport Surface 9/16"x3 3/4"x72" (15mm x 95mm x 1829mm)	0.562"	9/16"	14mm
core	1 layer of 1/2" plywood subfloor	0.500"	1/2"	25mm
base	5/8" PlybooSport pads + vapor barrier	0.625"	5/8"	16mm
T O T A L profile		1.687"	1 11/16"	43mm

**System Description :**

L.E.E.D. contributors	MRc7 : FSC bamboo-MRc7			
	MRc7 : FSC sub-floor-MRc7 (installer supplied)			
	MRc6 : Rapidly Renewal			
	IEQc4.3 : Low emitting materials (manufacturing)			
	IEQc4.1,4.2, 4.4 (installer supplied)			
	ID Innovation in Design + FloorScore certified			
ISO 9001, 9002, 14001				
Colors (2)	Sahara	Havana	Neopolitan	
Finishes (2)	Jobsite finished		Prefinished	
System Type	floating resilient			
Subfloor Construction	padded plywood			
Resilience	PlybooSport pads	55 duro (fitness:F-Y)	65 duro (court sports : M-W)	75 duro (court sports : P-B)
System Profile   Slab Depression	1 11/16"		43mm	
Industry Compliance	DIN,, EN, FIBA: Gymnasiums, (courts sports) Fitness, Exercise, Stage, Dance			
Environmental Certifications	FSC, LEED,	L.E.E.D	FloorScore	ISO 14001
Warranty	25 years			

# plybooFIT™



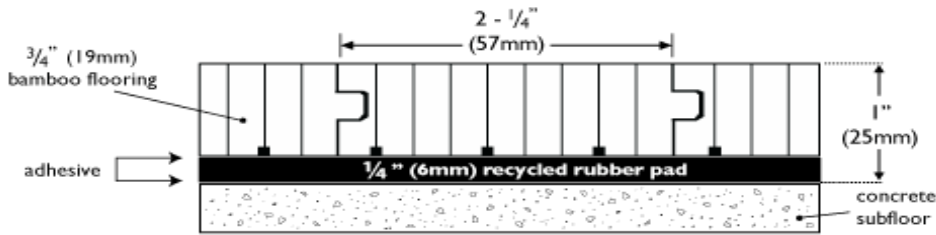
Natural Edge Grain  
FL-V3472SFN-NAUF/FSC



Amber Edge Grain (2,500 sq.ft. minimum)  
FL-V3472SFA-NAUF/FSC

## PlybooFIT ; PF-25 (part of the PlybooSport series)

### End View Detail



### Top View Detail



#### System Components :

System Components :		Profile		
top	<b>Bamboo Sport Surface</b> 3/4"x2 1/4"x72" (19mm x 95mm x 1829mm)	0.750"	3/4"	19mm
base	<b>1 layer of 1/4" PlybooFit sports padding</b> (93% post consumer content recycled rubber)	0.250"	1/4"	6mm
<b>T O T A L profile</b>		<b>1.00"</b>	<b>1"</b>	<b>25mm</b>

#### System Description :

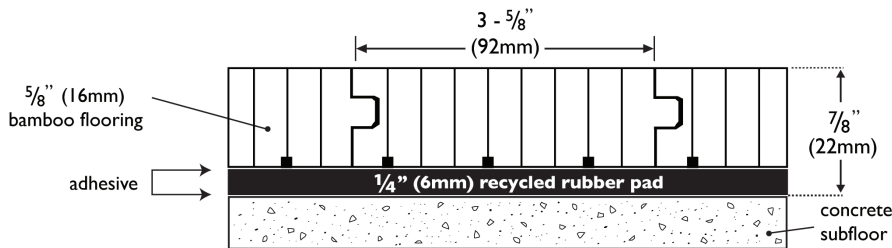
L.E.E.D. contributors	MRc7 : Certified Wood : 100% FSC Bamboo				
	MRc6 : Rapidly Renewable Resource : (5 year forest replenishment + harvest)				
	MRc4 : (recycled content : 100% post consumer content recycled rubber padding)				
	IEQc4.3 : SoyBond Formaldehyde Free materials : (manufacturing) Floor Score certified				
	IEQc4.1,4.2, 4.4 : Low emitting materials : installer supplied)				
ID Innovation in Design +					
Colors (2)	Natural Edge grain FL-V3472-SFN-NAUF/FSC pre-sand 180grit FL-V3472-SFN-prefinished (inquire)		Amber Edge grain (2,500 sq.ft.order minimum) FL-V3472-SFA-NAUF/FSC pre-sand 180 grit FL-V3472-SFA-prefinished (inquire)		
Finishes (2)	Jobsite finished		Prefinished : (inquire)		
System Type	Fixed resilient				
Subfloor Construction	PlybooFIT - sports padding (93% post consumer content recycled rubber)				
Resilience	PlybooFIT- sports padding – 45 duro – product # PFR45B				
System Profile   Slab Depression	1 "	1.0"		25mm	
Sound Impact Insulation	IIC rating = 54 (over 6" concrete).			IIC rating = 58 (over 6" concrete/6" fiberglass)	
Industry Compliance	Fitness	Exercise	Yoga	Stage	Dance
Environmental Certifications	FSC, LEED		L.E.E.D		FloorScore
Warranty	25 years				

PlybooSport : [www.plyboosport.com](http://www.plyboosport.com) : 800.939.7397 : [lear@plyboosport.com](mailto:lear@plyboosport.com)

## PlybooFit™ PF-22

**FSC® Certified**  
**FloorScore® Certified**  
**Formaldehyde Free**

- 1/4" Impact Cushioning, Noise Reducing Pad
- L.E.E.D. Contributions: MR4, MR6, MR7, IEQ4
- Average Hardness greater than Maple
- Greater Dimensional Stability than Maple
- Precision Milling, Fit, and Finish
- 6' Lengths
- 25 year warranty
- Soybond Formaldehyde Free Manufactured Flooring



Plank Dimensions: 5/8" x 3 5/8" x 72"



Edge Grain, Amber  
FL-V5872PA-NAUF/FSC (Pre-finished)  
FL-V5872UA-NAUF/FSC (Unfinished)



Flat Grain, Amber  
FL-5872PA-NAUF/FSC (Pre-finished)  
FL-5872UA-NAUF/FSC (Unfinished)



Edge Grain, Natural  
FL-V5872PN-NAUF/FSC (Pre-finished)  
FL-V5872UN-NAUF/FSC (Unfinished)



Flat Grain, Natural  
FL-5872PN-NAUF/FSC (Pre-finished)  
FL-5872UN-NAUF/FSC (Unfinished)

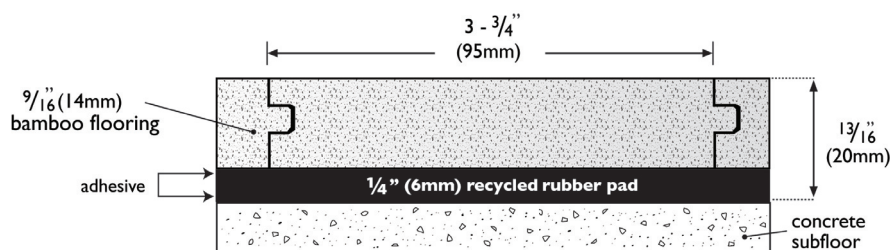


Cert. # SCS-FS-02130  
As Certified by  
SCIENTIFIC CERTIFICATION SYSTEMS

## PlybooFit™ Strand PF-20

**FSC® Certified**  
**FloorScore® Certified**  
**Urea Formaldehyde Free**

- 1/4" Impact Cushioning, Noise Reducing Pad
- L.E.E.D. Contributions: MR4, MR6, MR7, IEQ4
- Average Hardness greater than Maple
- Greater Dimensional Stability than Maple
- Precision Milling, Fit, and Finish
- 6' Lengths
- 25 year warranty
- PlybooPure, No Added Urea-Formaldehyde



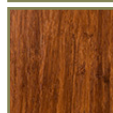
Plank Dimensions: 9/16" x 3 3/4" x 72"



Neopolitan  
Inquire for Pre-finished  
FL-P5872UNEO-NAUF/FSC (Unfinished)



PlybooStrand Sahara  
FL-P5872PH-NAUF/FSC (Pre-finished)  
FL-P5872UH-NAUF/FSC (Unfinished)



PlybooStrand Havana  
FL-P5872PD-NAUF/FSC (Pre-finished)  
FL-P5872UD-NAUF/FSC (Unfinished)

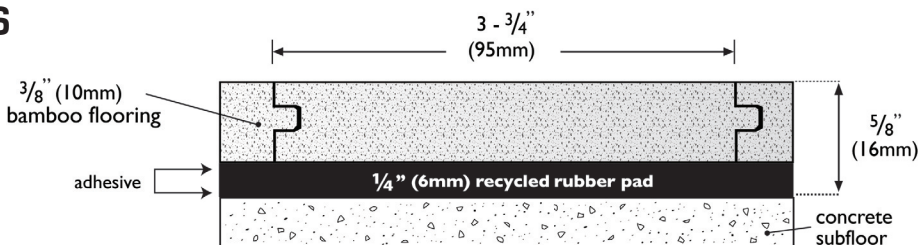


Cert. # SCS-FS-02130  
As Certified by  
SCIENTIFIC CERTIFICATION SYSTEMS

## PlybooFit™ Strand PF-16

**FSC® Certified**  
**FloorScore® Certified**  
**Urea Formaldehyde Free**

- 1/4" Impact Cushioning, Noise Reducing Pad
- L.E.E.D. Contributions: MR4, MR6, MR7, IEQ4
- Average Hardness greater than Maple
- Greater Dimensional Stability than Maple
- Precision Milling, Fit, and Finish
- 3' Lengths
- 25 year warranty
- PlybooPure, No Added Urea-Formaldehyde



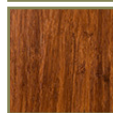
Plank Dimensions: 3/8" x 3 3/4" x 36"



Neopolitan  
FL-P3836NEO-NAUF/FSC (Pre-finished)



PlybooStrand Sahara  
FL-P3836PH-NAUF/FSC (Pre-finished)



PlybooStrand Havana  
FL-P3836PD-NAUF/FSC (Pre-Finished)



Cert. # SCS-FS-02130  
As Certified by  
SCIENTIFIC CERTIFICATION SYSTEMS



## Bamboo Athletic Flooring

- Premium Grade color and grain only
- Greater dimensional stability than traditional Beech or Maple
- Average hardness greater than Beech or Maple
- Edge Grain orientation for superior board strength and 6' lengths
- Engineered for performance and longevity
- USGBC credit contribution for LEED MR4, MR6, MR7, and IEQ 4.1, 4.2, 4.3
- ALL standard sportsfloor finish and maintenance techniques apply
- DIN; EN; FIBA; ASTM Compliant
- FloorScore® and FSC® Certified
- 25 Year Warranty



FL-V3472SFN  
3/4" x 2 1/4" x 72"  
Natural Unfinished Edge Grain  
Formaldehyde Free

PlybooSport is:

**FSC® and FloorScore® Certified Formaldehyde Free**

- L.E.E.D. Contributions: MR6, MR7, IEQ4
- Average Hardness greater than Maple
- Consistent lighter color and 6' lengths
- Precision Milling, Fit, and Finish
- Exceeds visual rating of Grade 1 Maple
- Priced competitvely to Grade 1 Maple
- ASTM, EN, FIBA, DIN Compliant
- 25 year warranty



Edge Grain, Natural  
FL-V3472SFN-NAUF/FSC



Edge Grain, Amber  
FL-V3472SFA-NAUF/FSC  
(minimum order 2,500 sq. ft.)

**Dimensions:**

U.S. Standards/ Metric

3/4" x 2 1/4" x 72" (19mm x 57mm x 1829mm)

1 1/4 sq. ft./board (0.104 m<sup>2</sup>/board)

20 boards/box

22.5 sq. ft./box (2.09 m<sup>2</sup>/box)

**Weight:**

U.S. Standards/ Metric

2.53 lbs/sq. ft. (1.235 kg/m<sup>2</sup>)

2.85 lbs/board (1.29 kg/board)

57 lbs/box (25.9 kg/box)

50 boxes/pallets

2,930 lbs/pallet (1,329 kg/pallet)

**L.E.E.D. Contributions**

Manufacturer:

MRc4: Recycled Materials (Rubber Pad)

MRc6: Rapidly Renewable Materials

MRc7: FSC® Certified (SW-COC-003124)

IEQc4.3: Low-Emitting Materials

CA Section 01350 Compliant

FloorScore® Certified (SCS-FS-02130)

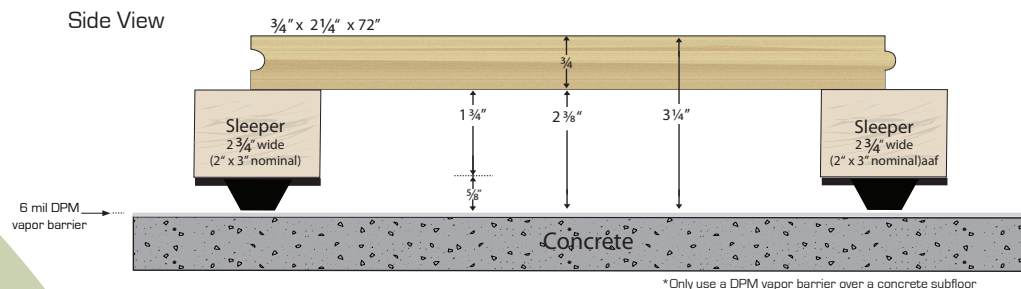
Installer Supplied:

MRc7: FSC-Certified Subfloor Materials

IEQ 4.1, 4.2: Low-Emitting Materials

**Floating Resilient Sleeper  
PS-3.125-CP**

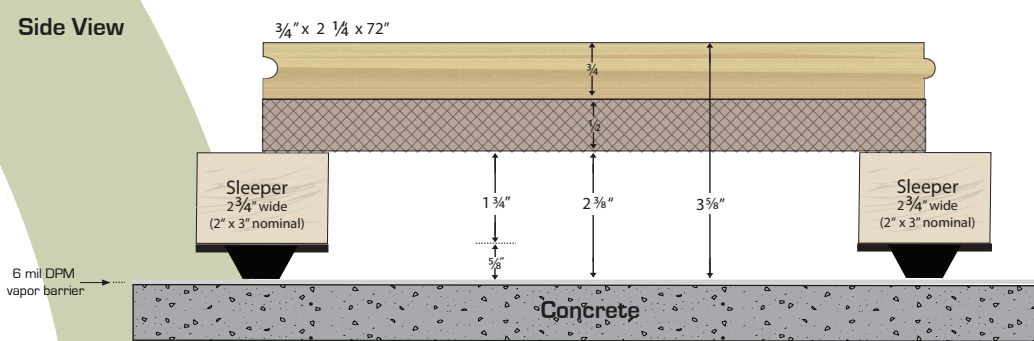
- SOFT TOUCH-Y
- MULTI-USE-W
- PRO-B



\*Only use a DPM vapor barrier over a concrete subfloor

**Floating Resilient Sleeper + Panel  
PS-3.625-CP**

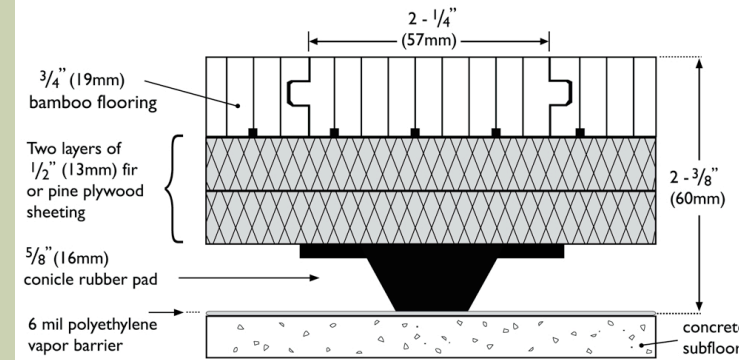
- SOFT TOUCH-Y
- MULTI-USE-W
- PRO-B



\*Only use a DPM vapor barrier over a concrete subfloor

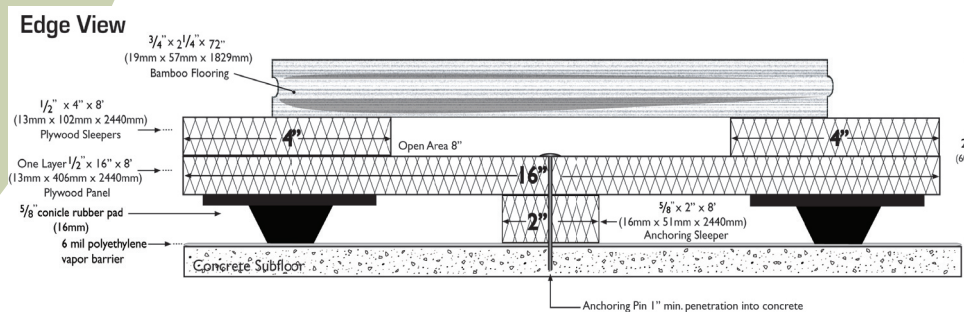
**Floating Resilient Panel  
PS-1.875CP, PS-1.937-CP, PS-2.125-CP, PS-2.375-CP**

- SOFT TOUCH-Y
- MULTI-USE-W
- PRO-B



**Fixed Resilient Anchored  
PS-2.125A-CP; PS-2.375A-CP**

- SOFT TOUCH-Y
- MULTI-USE-W
- PRO-B



**Fixed Resilient PlybooFit  
PF-3472-1.0**

